

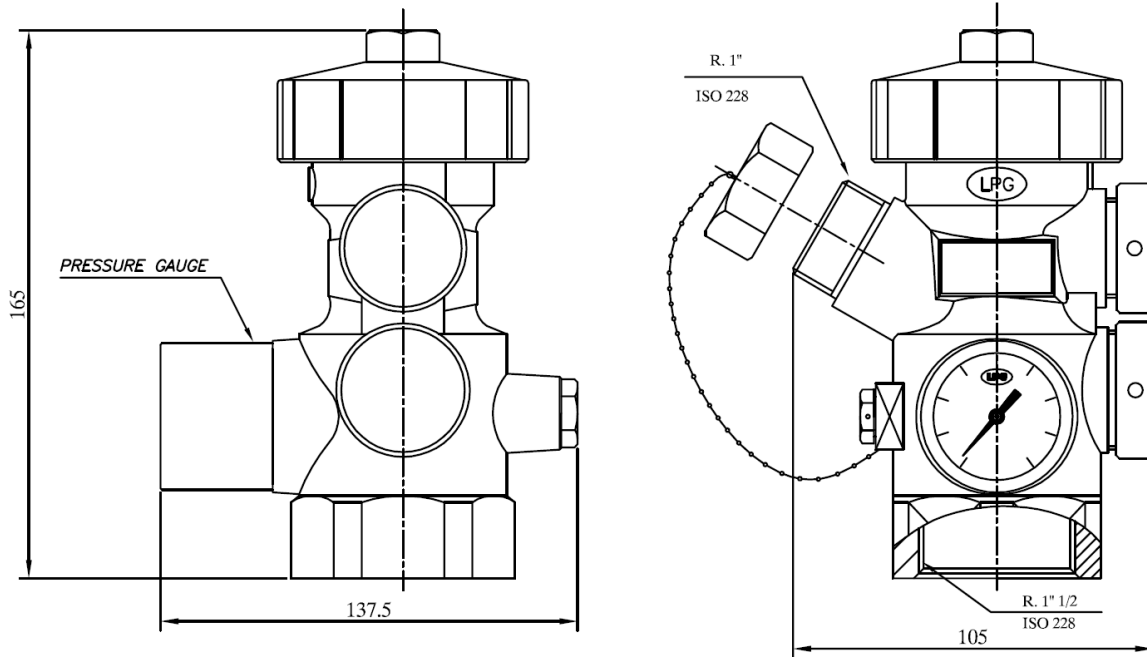


LPG 145-00 VALVE (67L FM-200) DATA SHEET

DONE BY	Doméneç	07/03
CHECKED BY		02/09
APPROVED BY		02/09

DATA SHEET Nr. 116 REV. 05 DATE 02/09

INTRODUCTION LPG 145-00 is a quick opening differential valve with a wide range of possibilities regarding activation & control systems; especially designed for gaseous extinguishing agents in modular / manifold systems.



TPED according 1999/36-CE Directive (NB 0832).

TECHNICAL DATA

MAX. WORKING PRESSURE	MIN. WORKING PRESSURE	FUNCTIONAL PRESSURE T.	HYDRAULIC TEST	WORKING TEMPERATURE	SAFETY DISC	WEIGHT	FREE CROSS SECTIONAL AREA
166 bar. 2407.6 psi.	7 bar. 101.5 psi.	50 bar. 725.2 psi.	250 bar. 3625 psi.	-20°C ~ 50°C -4°F ~ 122°F	95 ± 7 bar. 1377.5 ± 101.5 psi.	3.4 kg. 7.5 lbs.	494 mm ²
80 bar. 1160.2 psi.							

OPTIONAL RELEASE SYSTEMS: *Electric by Solenoid, Pyrotechnic, Pneumatic and Hand Release.*

ACCESSORIES: *Pressure gauge, Pressure switch.*

CONSTRUCTIVE MATERIALS.

BODY	PISTON	AXLE	JOINTHOLDER	SEALING JOINT	O-RING
Brass Cu Zn ₄₀ Pb ₂ EN 12165:98 tab4	Stainless steel AISI-303	Stainless steel AISI-303	Stainless steel AISI-303	Teflon.PTFE	Nitrile / EPDM (UL)

IMPORTANT

LPG Fire reserves the right to change or modify without prior notice any data or specifications due to changes or modifications made in order to improve the products presented. This data sheet details the standards and requirements of LPG Fire. It is for informational purposes only and the data contained within is approximate and presented without legal guarantee or warranty. The observation or use of this document doesn't exclude the obligation to comply with existing local standards and authorities at all times. For maintenance and installations please refer to the manual supplied with the product.

Contact Us:

LPG Fire Australia
8/30 Mudgeeraba Rd
Worongary
QLD 4213 AUSTRALIA
Phone: +61 7 5559 0634
Fax: +61 7 5559 0201
Email: info@lpgfire.com.au
Web: www.lpgfire.com.au