



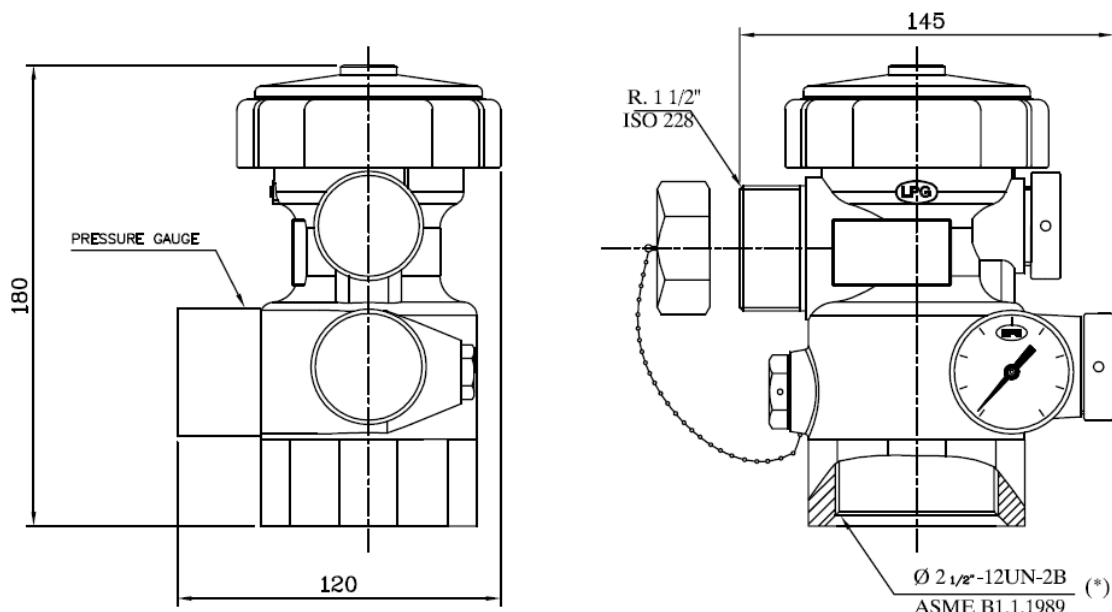
LPG 190-00 VALVE (120L FM-200)
DATA SHEET

| | | |
|-------------|----------|-------|
| DONE BY | Doméneec | 07/03 |
| CHECKED BY | | 09/05 |
| APPROVED BY | | 09/05 |

DATA SHEET Nr. 115 REV.04 DATE 09/05

INTRODUCTION

LPG 190-00 is a quick opening differential valve with a wide range of possibilities regarding activation & control systems; especially designed for gaseous extinguishing agents in modular / manifold systems



(*) CYLINDER THREAD: $\varnothing 2\frac{1}{2}''-12UN-2A$
TPED according 1999/36-CE Directive (NB 0832).

TECHNICAL CHARACTERISTICS.

| MAX. WORKING PRESSURE | MIN. WORKING PRESSURE | FUNCTIONAL PRESSURE T. | HYDRAULIC TEST | WORKING TEMPERATURE | SAFETY DISC | WEIGHT | FREE CROSS SECTIONAL AREA |
|-------------------------|-----------------------|------------------------|-----------------------|-----------------------------|--------------------------------|----------------------|---------------------------|
| 166 bar. 2407.6 psi. | 7 bar. 101.5 psi. | 50 bar. 725.2 psi. | 250 bar. 3625 psi. | -20°C ~50°C -4°F ~ 122°F | 95±7 bar. 1377.5±101.5 psi. | 6.2 kg. 13.7 lbs. | 905 mm ² |

OPTIONAL RELEASE SYSTEMS: Electric by Solenoid, Pyrotechnic, Pneumatic and Hand Release.

ACCESSORIES: Pressure gauge, Pressure switch.

CONSTRUCTIVE MATERIALS.

| BODY | PISTON | AXLE | JOINTHOLDER | SEALING JOINT | O-RING |
|---|--------------------------|--------------------------|--------------------------|---------------|---------------------|
| Brass Cu Zn ₄₀ Pb ₂ EN 12165:98 tab4 | Stainless steel AISI-303 | Stainless steel AISI-303 | Stainless steel AISI-303 | Teflon.PTFE | Nitrile / EPDM (UL) |

IMPORTANT

LPG Fire reserves the right to change or modify without prior notice any data or specifications due to changes or modifications made in order to improve the products presented.
This data sheet details the standards and requirements of LPG Fire. It is for informational purposes only and the data contained within is approximate and presented without legal guarantee or warranty.
The observation or use of this document doesn't exclude the obligation to comply with existing local standards and authorities at all times. For maintenance and installations please refer to the manual supplied with the product.

Contact Us:

LPG Fire Australia
8/30 Mudgeeraba Rd
Worongary
QLD 4213 AUSTRALIA
Phone: +61 7 5559 0634
Fax: +61 7 5559 0201
Email: info@lpgfire.com.au
Web: www.lpgfire.com.au