



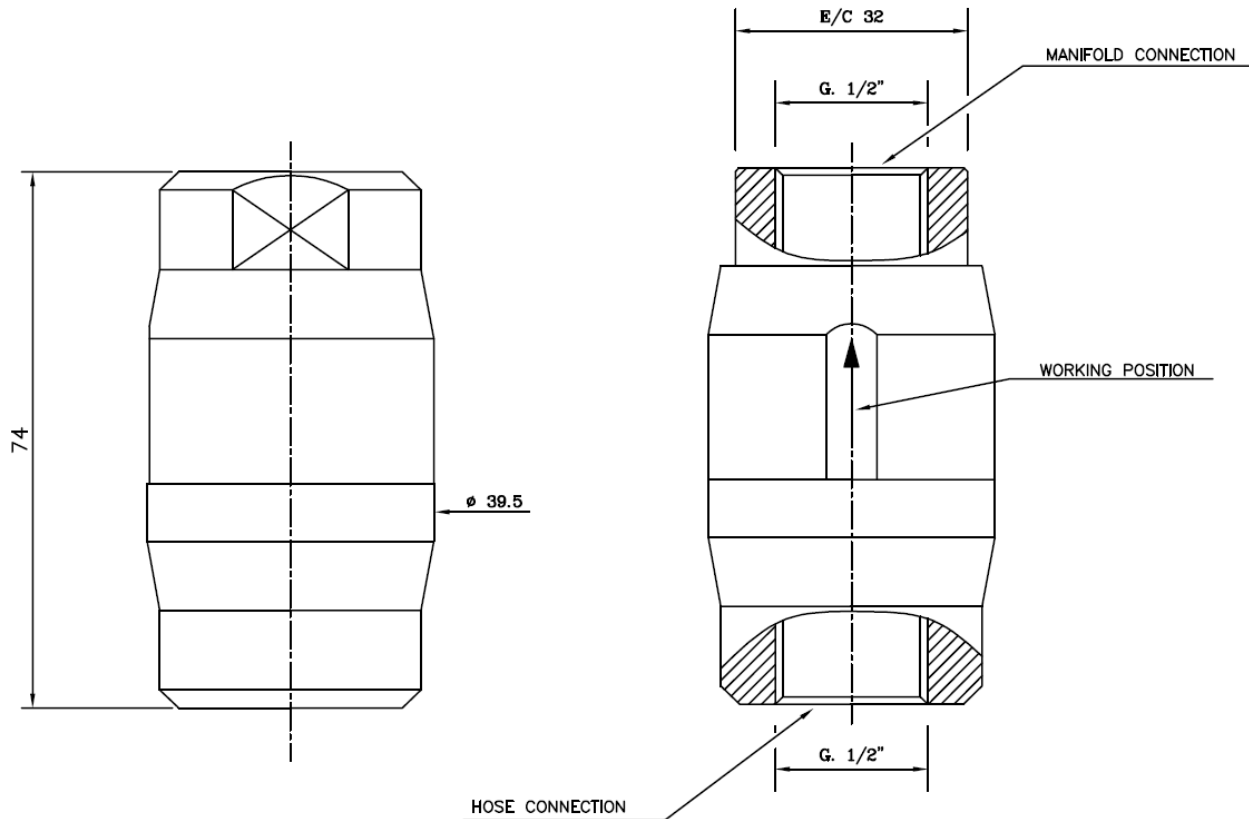
# 1/2" CHECK VALVE DATA SHEET

|             |  |       |
|-------------|--|-------|
| DONE BY     |  | 02/97 |
| CHECKED BY  |  | 12/09 |
| APPROVED BY |  | 12/09 |

DATA SHEET Nr. **022**    REV. **04**    DATE **12/09**

**INTRODUCTION**

The LPG Check Valve, is used to ensure that extinguisher agent released into the manifold does not return to the cylinders. It is also employed as a safety device in maintenance operations.



| MATERIAL                        | WEIGHT                  |
|---------------------------------|-------------------------|
| BODY: BRASS    EN 12164:98 tab2 | 0,473 kg.<br>1,051 lbs. |
| INNER BALL:        NYLON        | 0,002 kg.<br>0.005 lbs. |

APPROVAL: Certificate of approval VDS. Approval N° G304024

NOTE: THREADS ACCORDING TO ISO 228

**IMPORTANT**

*LPG Fire reserves the right to change or modify without prior notice any data or specifications due to changes or modifications made in order to improve the products presented. This data sheet details the standards and requirements of LPG Fire. It is for informational purposes only and the data contained within is approximate and presented without legal guarantee or warranty. The observation or use of this document doesn't exclude the obligation to comply with existing local standards and authorities at all times. For maintenance and installations please refer to the manual supplied with the product.*

**Contact Us:**

LPG Fire Australia  
8/30 Mudgeeraba Rd  
Worongary  
QLD 4213 AUSTRALIA  
Phone: +61 7 5559 0634  
Fax: +61 7 5559 0201  
Email: [info@lpgfire.com.au](mailto:info@lpgfire.com.au)  
Web: [www.lpgfire.com.au](http://www.lpgfire.com.au)