



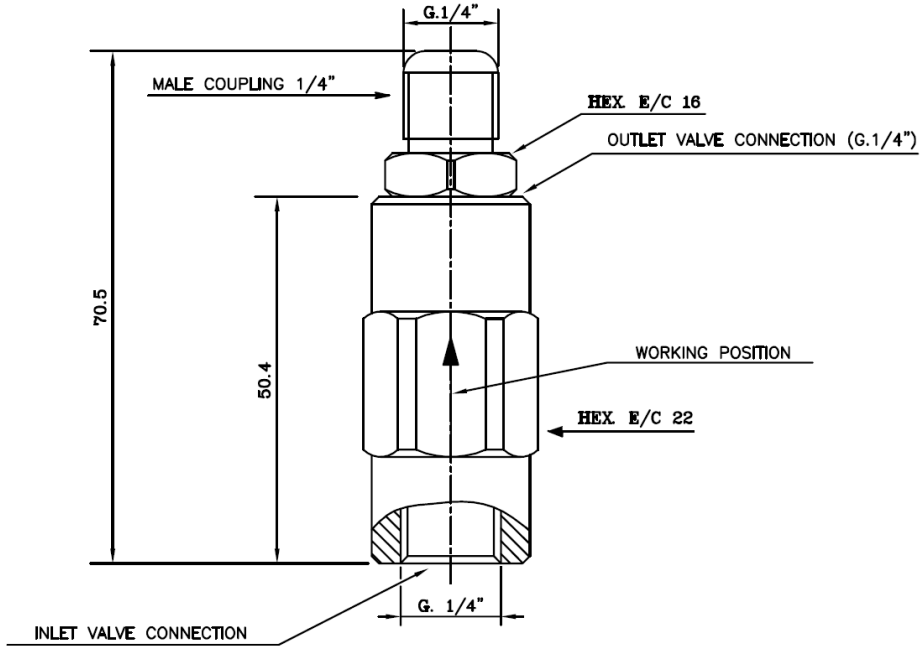
NON RETURN VALVE 1/4" DATA SHEET

DONE BY		03/97
CHECKED BY		09/08
APPROVED BY		09/08

DATA SHEET Nr. **026** REV. 08 DATE 09/08

INTRODUCTION

The LPG Non-Return 1/4" Valve is a small simple and reliable device designed to be used in pneumatic release systems. It allows gas to flow only in one direction by means of an inner piston mechanism.



TECHNICAL DATA			
WORKING PRESSURE:	240 bar.	WORKING PRESSURE:	3480 psi.
WEIGHT:	0,150 kg.	WEIGHT:	0.333 lbs.
MIN. OPENING PRESSURE:	55 bar.	MIN. OPENING PRESSURE:	798 psi.

MATERIALS	
BODY:	BRASS EN12164: 98 tab2
INNER PISTON:	BRASS EN12164: 98 tab2
RE-SET SPRING:	STAINLESS STEEL AISI-303
MALE COUPLING	BRASS EN12164: 98 tab2

NOTE: THREADS ACCORDING TO ISO 228

IMPORTANT

LPG Fire reserves the right to change or modify without prior notice any data or specifications due to changes or modifications made in order to improve the products presented. This data sheet details the standards and requirements of LPG Fire. It is for informational purposes only and the data contained within is approximate and presented without legal guarantee or warranty. The observation or use of this document doesn't exclude the obligation to comply with existing local standards and authorities at all times. For maintenance and installations please refer to the manual supplied with the product.

Contact Us:

LPG Fire Australia
8/30 Mudgeeraba Rd
Worongary
QLD 4213 AUSTRALIA
Phone: +61 7 5559 0634
Fax: +61 7 5559 0201
Email: info@lpgfire.com.au
Web: www.lpgfire.com.au