

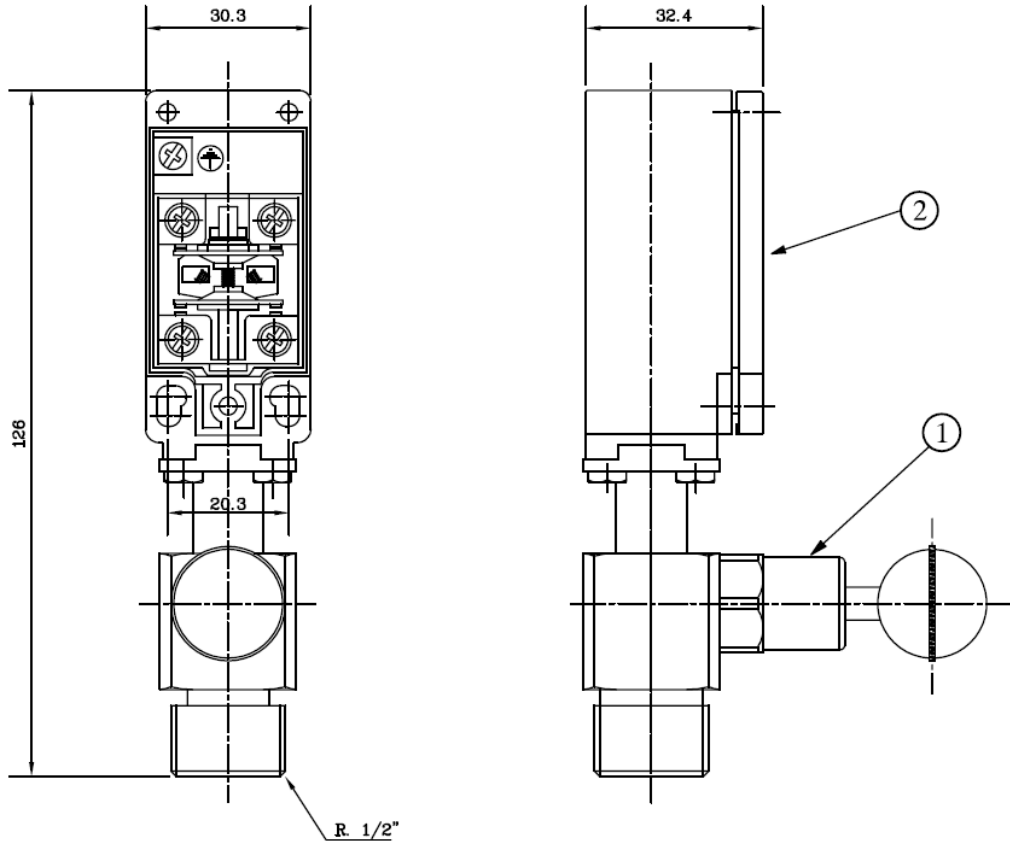


DISCHARGE PRESSURE SWITCH DATA SHEET

DONE BY		06/97
CHECKED BY		09/08
APPROVED BY		09/08

DATA SHEET Nr. **047** REV. 09 DATE 09/08

INTRODUCTION Discharge Pressure Switch triggers an electrical switch when the gas is discharged into the manifold. Once activated, it can only be reset manually. It has both an open and a closed contact. Electrical system holds UL-580 Approval.



CHARACTERISTICS HOMOL. UL	TECHNICAL DATA
USE CATEGORY Q300(69VA,125-250 V~)	MAX. WORKING PRESSURE: 370 bar
A600(720VA, 120-600V~)	ACTIVATION MIN. PRESSURE: 10 bar

NOTE: THREADS ACCORDING TO ISO 228

TECHNICAL DATA						
THERMIC GAUGE	VOLTAGE GAUGE	FUNCTION	RELEASE	PROTECTION	WORKING TEMPERAT.	MECHANICAL LIFE
10 A.	6 A. - 250 V. 4 A. - 400 V.	4 bushings change over	Bipolar	IP 65	-25° C ~ 80° C -13°F ~ 176°F	min. 10 ⁶ cycles

MATERIALS	
1	LOCKING SYSTEM: BRASS EN12164:98tab2
2	ELECTRIC SYSTEM BOX: DURALUMINIUM

IMPORTANT

LPG Fire reserves the right to change or modify without prior notice any data or specifications due to changes or modifications made in order to improve the products presented. This data sheet details the standards and requirements of LPG Fire. It is for informational purposes only and the data contained within is approximate and presented without legal guarantee or warranty. The observation or use of this document doesn't exclude the obligation to comply with existing local standards and authorities at all times. For maintenance and installations please refer to the manual supplied with the product.

Contact Us:

LPG Fire Australia
8/30 Mudgeeraba Rd
Worongary
QLD 4213 AUSTRALIA
Phone: +61 7 5559 0634
Fax: +61 7 5559 0201
Email: info@lpgfire.com.au
Web: www.lpgfire.com.au