

Total flooding system for special hazards Machinery spaces & Turbine enclosures.

Model: **FIREKILL K6**



Description

The **FIREKILL K6** is a total flooding low pressure watermist system suited for fire protection of machinery spaces, special hazard machinery spaces, combustion turbines and insulated combustion turbines with volumes up to 4610 m³ (see full list on page 2).

The system can be designed with different parameters depending on enclosure size, making it possible to optimize the system for its use.

The **FIREKILL K6** system utilized the Model K6 nozzle which can be supplied in different materials and with different thread types.

Test and approvals

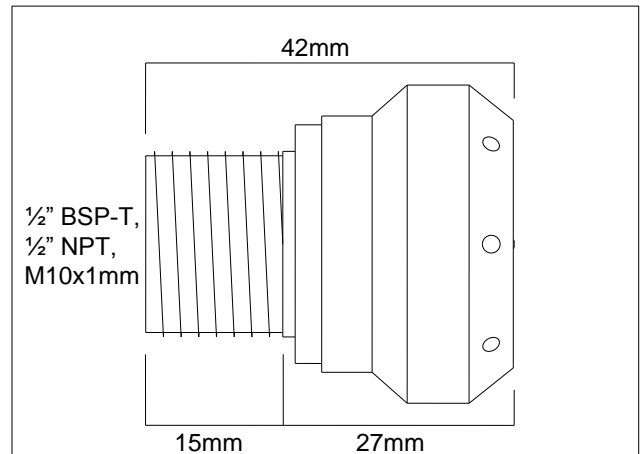
The **FIREKILL K6** system is FM approved as it has been successfully tested to the FM5560 standard, appendix E and F in room sizes respectively of 800m³ (8m ceiling height) and 4610 m³ (12m ceiling height).

Spray Pattern

See page 2 for a diagram illustrating the spray pattern of the K6 nozzle.

Contact

For further information on **FIREKILL K6** system or similar products, please contact our sales department at Sales@vidaps.dk



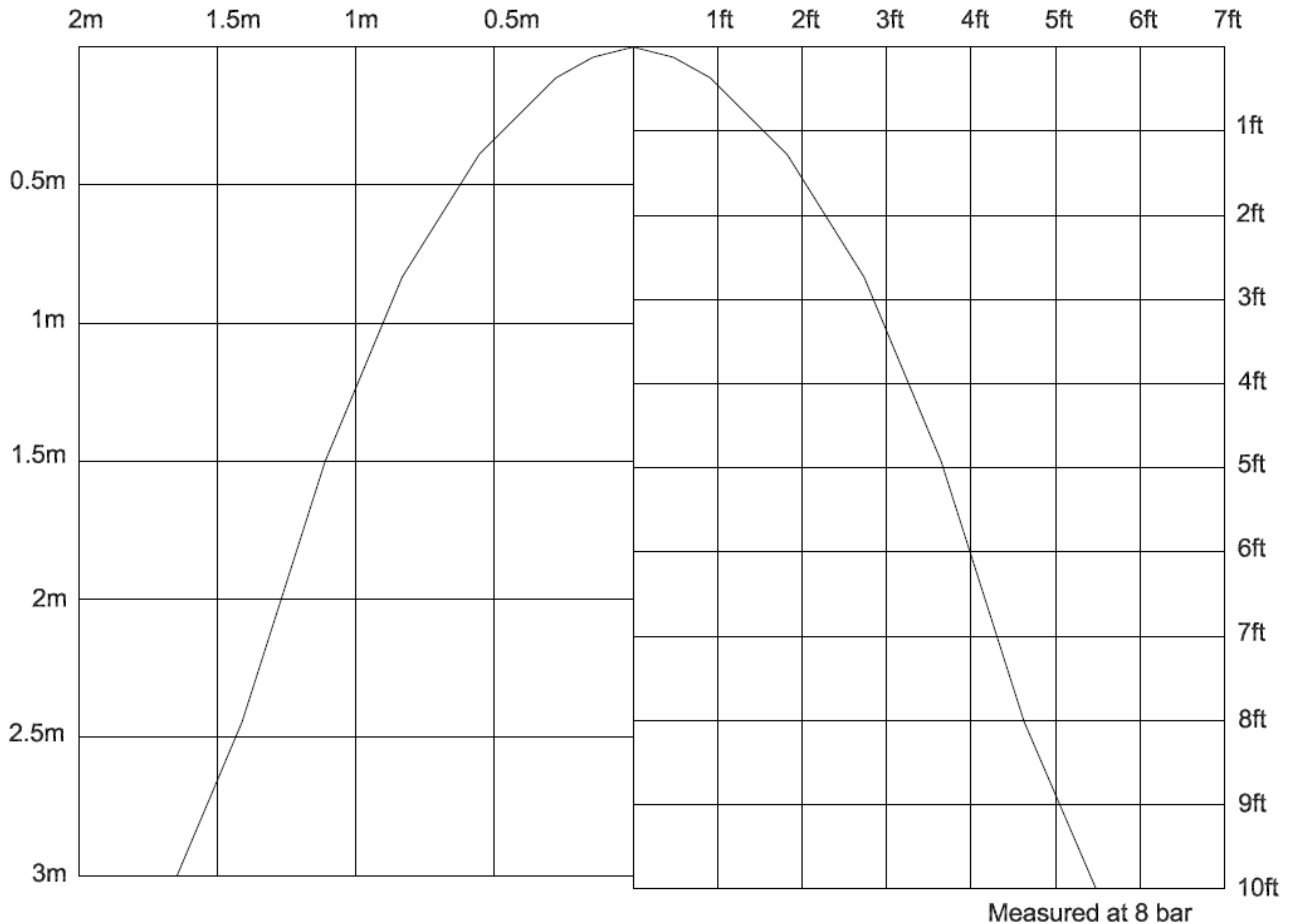
Overall Technical Data		
Application	Machinery Spaces Special Hazards & Turbines (see full list on page 2)	
General System Stats		
Minimum water pressure	7.7 bar	
Maximum working pressure	16 bar	
Drop size	DV ₉₀ < 300 µm	
Design data		
For enclosure size	medium	large
Volume (max)	800m ³	4610m ³
Nozzle Spacing (max)	10.9 m ² (3.3m x 3.3m)	9 m ² (3m x 3m)
Distance to wall (max)	1.66 m	1.5 m
Height (max)	8m	12 m
Water density	1.4 mm/min	1.7 mm/min
Design run time	28:30 min	83 min
Specific nozzle Stats		
K-factor (metric)	5.6 (l/min/√bar)	
Dimension	See fig. above	
Weight	0.13 kg	
Housing	Brass / SS316 / Titanium gr. 2	
Coating (only with brass)	NiSn	
Strainer	Stainless Steel	
Thread	½" BSP-T, ½" NPT, M10x1mm	
Other Products FM approved in the system		
Name	Model	
Control Valve	C-EL	
N-Pipe	Type I-FF	

Total flooding system for special hazards Machinery spaces & Turbine enclosures.

Model: **FIREKILL K6**



FIREKILL K6 Spray Pattern



FIREKILL K6 application scope

Internal combustion engines, oil pumps, oil tanks, fuel filters, generators, transformer vaults, gear boxes, drive shafts, lubrication skids, diesel engine driven generators, exposed Combustion Turbine, Insulated Combustion Turbine and other similar equipment using liquid hydrocarbon fuel and/or hydraulic, heat transfer, and lubrication fluids with volatility less than or equal to heptane; enclosures with incidental use or storage of hydrocarbon ignitable liquids (also known as flammable liquids) of not more than two 55 gal (208 L) drums.