



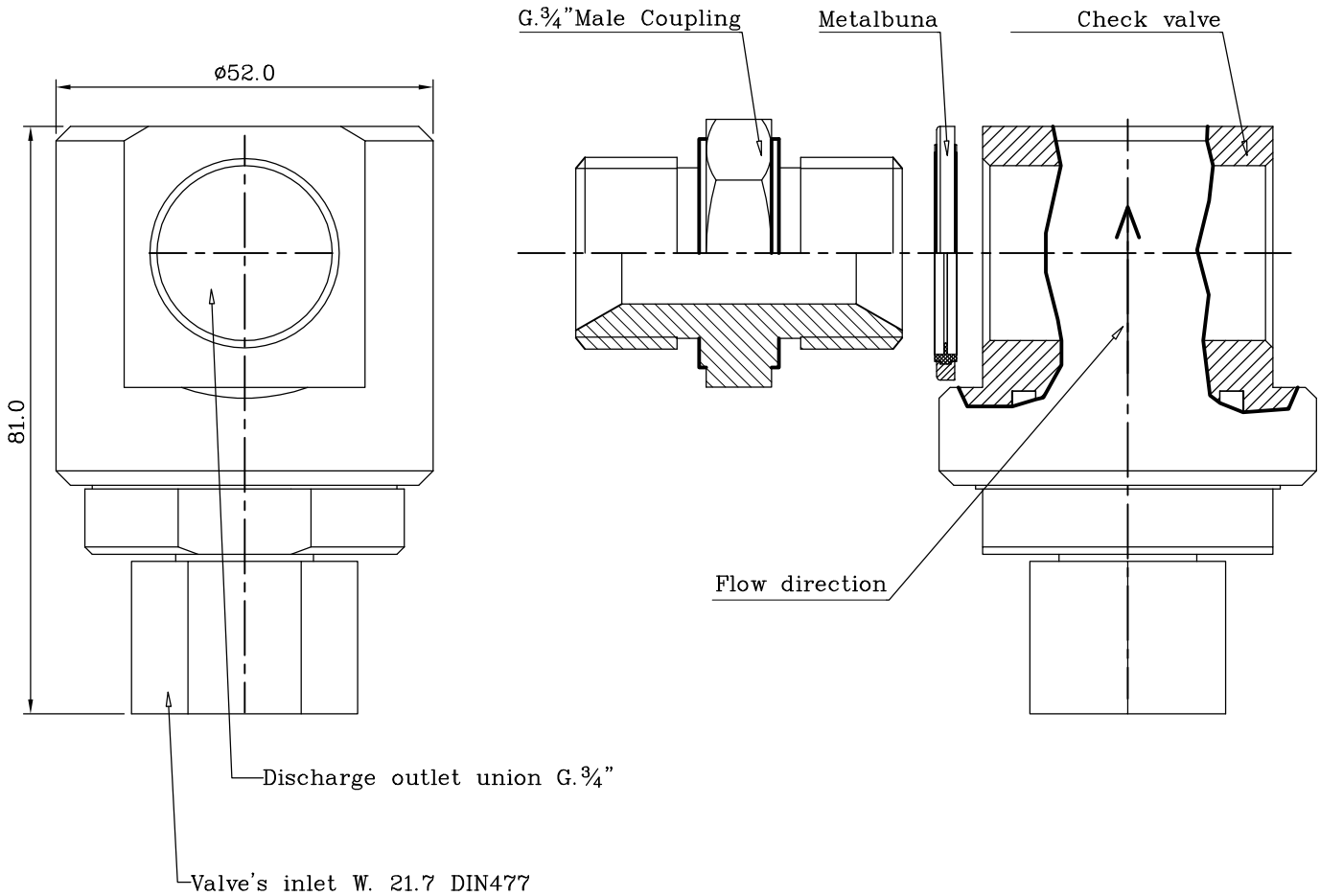
HORIZONTAL CHECK VALVE DATA SHEET

DONE BY	òscar	01/10
CHECKED BY		01/11
APPROVED BY		01/11

DATA SHEET Nr. **220** REV.03 DATE **01/11**

INTRODUCTION

The LPG Horizontal check valve, is used to avoid that extinguisher agent released in the manifold may return to the cylinders and as safety device in maintenance operations.



MATERIALS

BODY	2 WAYS CAP	RETENTION PISTON	NUT	SPRING	JOINT	O-RING								
Brass EN 12164:98 tab2	Brass EN 12164:98 tab2	Brass EN 12164:98 tab2	Brass EN 12164:98 tab2	Stainless steel	Polyurethane	Nitrile								
MALE UNION	METALBUNA WASHER	<table border="1" style="width: 100%; border-collapse: collapse;"> <thead> <tr> <th colspan="2" style="text-align: center;">TECHNICAL DATA</th> </tr> </thead> <tbody> <tr> <td>MAX. WORKING PRESSURE</td> <td style="text-align: right;">2030.5 psi /140 bar</td> </tr> <tr> <td>WEIGHT</td> <td style="text-align: right;">2.01 lb /0.70 kg</td> </tr> <tr> <td>FREE CROSS SECTIONAL AREA</td> <td style="text-align: right;">113 mm²</td> </tr> </tbody> </table>					TECHNICAL DATA		MAX. WORKING PRESSURE	2030.5 psi /140 bar	WEIGHT	2.01 lb /0.70 kg	FREE CROSS SECTIONAL AREA	113 mm ²
TECHNICAL DATA														
MAX. WORKING PRESSURE	2030.5 psi /140 bar													
WEIGHT	2.01 lb /0.70 kg													
FREE CROSS SECTIONAL AREA	113 mm ²													
Steel F-212														

IMPORTANT

LPG Fire reserves the right to change or modify without prior notice any data or specifications due to changes or modifications made in order to improve the products presented. This data sheet details the standards and requirements of LPG Fire. It is for informational purposes only and the data contained within is approximate and presented without legal guarantee or warranty. The observation or use of this document doesn't exclude the obligation to comply with existing local standards and authorities at all times. For maintenance and installations please refer to the manual supplied with the product.

Contact Us:

LPG Fire Australia
8/30 Mudgeeraba Rd
Worongary
QLD 4213 AUSTRALIA
Phone: +61 7 5559 0834
Fax: +61 7 5559 0201
Email: info@lpgfire.com.au
Web: www.lpgfire.com.au