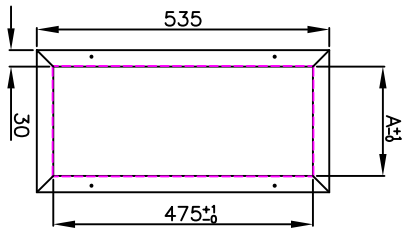


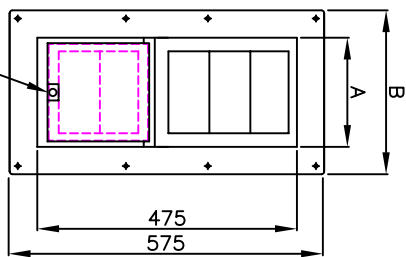


No.	NOTE
1	ALL DIMENSIONS IN MILLIMETRES

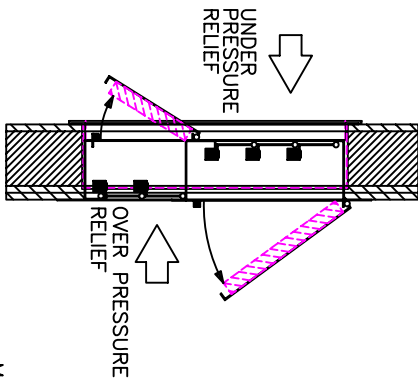
DECORATIVE SURROUND



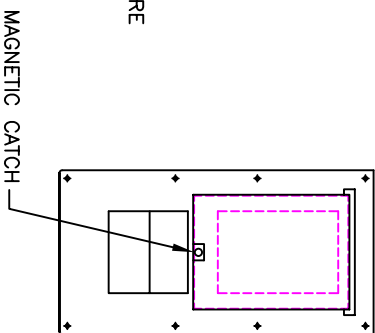
END VIEW (EXTERNAL)



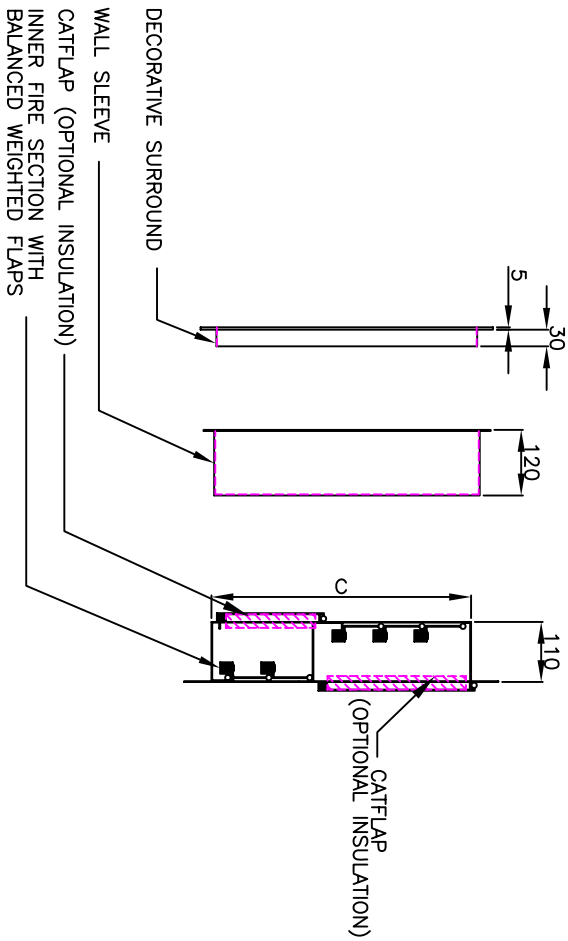
SECTIONAL VIEW



END VIEW (INTERNAL)



MODEL	150/375	300/375	450/375	
OVER PRESSURE FREE VENT AREA	0.021	0.041	0.062	m ²
UNDER PRESSURE FREE VENT AREA	0.031	0.062	0.093	m ²
DIMENSION A	200	350	500	mm
DIMENSION B	300	450	600	mm
DIMENSION C	475	475	475	mm
HOLE CUTOUT WIDTH	220	370	520	mm
HOLE CUTOUT HEIGHT	490	490	490	mm
APPROX WEIGHT	15	25	35	kg



Rev	Date	Drn
A	08.04.13	A.T.
HOLE CUTOUPS AMENDED		

TITLE CERTIFIED DRAWING

FIRE RATED
INTERNAL DUAL FLOW
PRESSURE RELIEF DAMPER
MODELS 150 / 300 / 450 x 375
TO SUIT WALL THICKNESS OF UP TO
130

Drm D.F. Chkd Appd
Date 01.03.12 Scale

Construction
ZINTEC STEEL

Finish
POLYESTER POWDERCOAT FINISH
TO RAL 9010

Size Drawing Number Rev
A3 M3/G/PNL 090-00

ANDOVER - HAMPSHIRE - ENGLAND

THIS IS THE PROPERTY OF PUMA PRODUCTS LTD AND CONTAINS INFORMATION OF A PROPRIETARY NATURE AND IS SUBMITTED TO YOU IN CONFIDENCE AND SHALL NOT BE DISCLOSED OR TRANSMITTED TO OTHERS WITHOUT WRITTEN AUTHORIZATION FROM PUMA PRODUCTS LIMITED

TEL (01264) 333306 FAX (01284) 333310