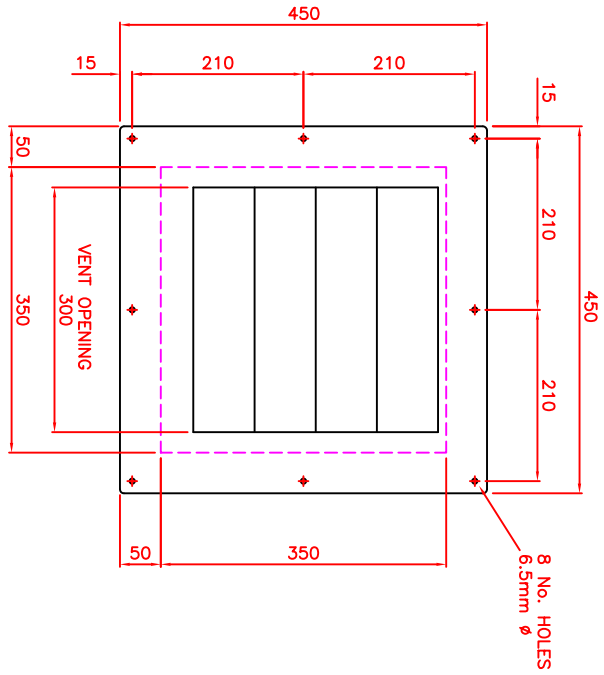


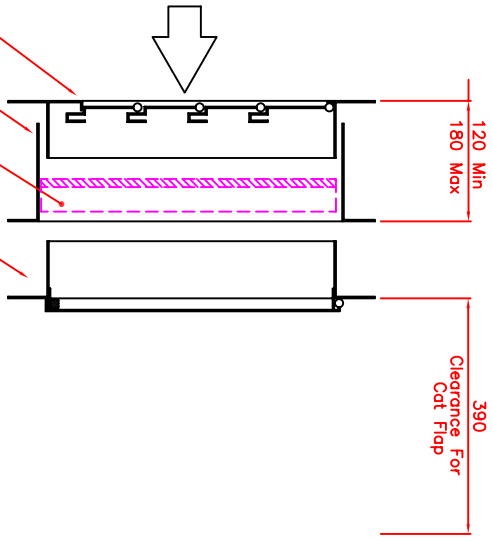
HOLE CUTOUT SIZE 375W x 375H

No.	NOTE
1	ALL DIMENSIONS IN MILLIMETRES
2	APPROX. WEIGHT - 20KG

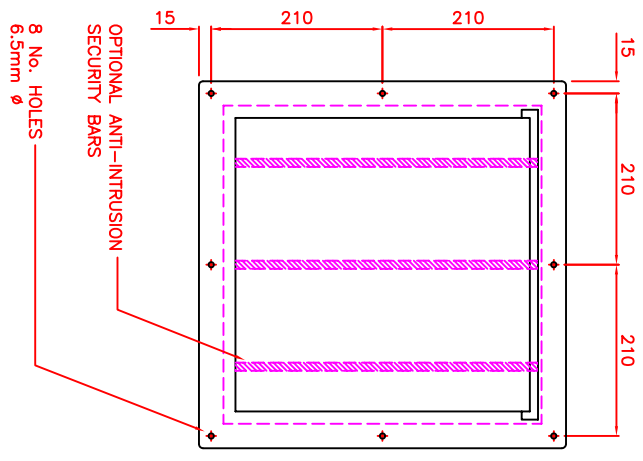


END VIEW (INTAKE)


- INNER FIRE SECTION WITH BALANCED WEIGHTED FLAPS
- WALL SLEEVE
- OPTIONAL SECURITY FRAME WITH ANTI-INTRUSION BARS FITTED AS LOOSE INSIDE SLEEVE
- OUTER CAT FLAP SECTION WITH MAGNETIC CATCH



SECTIONAL SIDE VIEW



END VIEW (DISCHARGE)

Rev	Date	Drn	TITLE			Construction		 <p>ANDOVER - HAMPSHIRE - ENGLAND</p>
			CERTIFIED DRAWING			ZINTEC STEEL		
			FIRE RATED PRESSURE RELIEF DAMPER c/w WALL SLEEVE AND CAT-FLAP			Finish POLYESTER POWDERCOAT FINISH TO RAL 7035		<p>THIS IS THE PROPERTY OF PULVA PRODUCTS LTD AND CONTAINS INFORMATION OF A PROPRIETARY NATURE AND IS SUBMITTED TO YOU IN CONFIDENCE AND SHALL NOT BE DISCLOSED OR TRANSMITTED TO OTHERS WITHOUT WRITTEN PERMISSION FROM PULVA PRODUCTS LTD</p> <p>TEL: (01264) 333305 FAX: (01264) 333310</p>
			MODEL: PRD 300-WS-CF			Size A3		
			Drn	Chkd	Appd	Drawing Number		
			Date	12.06.09	Scale	M3/G/PNL 064-11		
						Rev		