

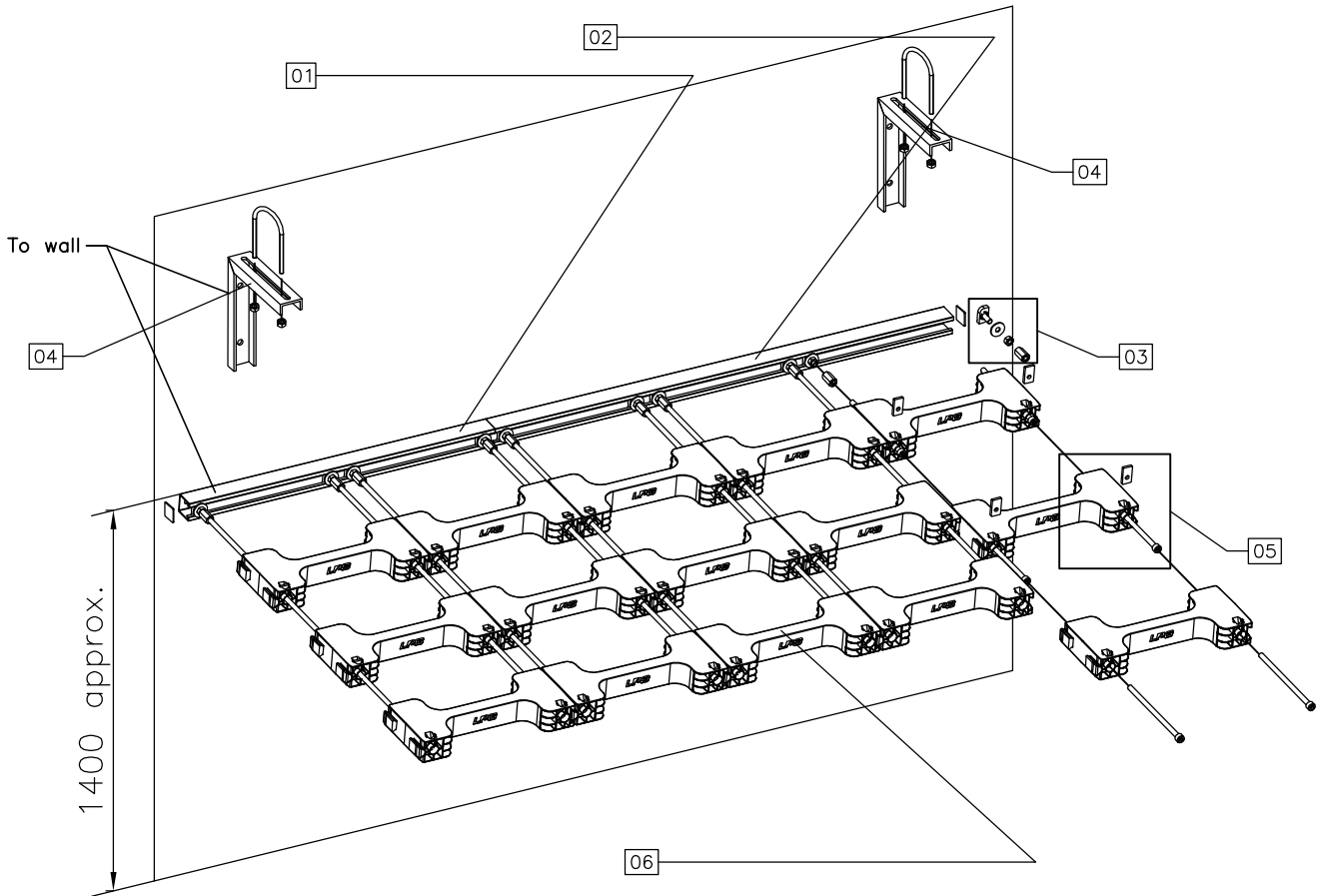


# LPG MATRIX BRACKET DATA SHEET

DONE BY	O.Martín	01/11
CHECKED BY		01/11
APPROVED BY		01/11

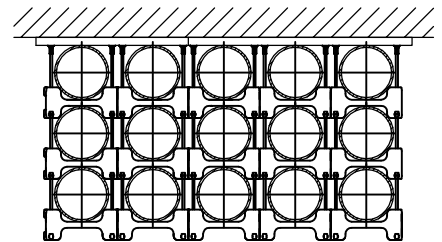
DATA SHEET Nr. 236 REV. 00 DATE 01/11

**INTRODUCTION** Matrix bracket for LPG iFlow systems



06	i-FLOW BRACKET (MATRIX)
05	MATRIX BRACKET SCREW SET
04	MANIFOLD SUPPORT
03	SET OF 2 SCREW (SUPPORT FOR BRACE HZ1M10x25)
02	41 x 41 x 1100mm BRACE
01	41 x 41 x 750mm BRACE
NUM	NAME

- . Polyamide and fibreglass injection bracket
- . Suitable for 80 litres 200 and 300 bar
- . Supplied as component kits
- . Wall mounting
- . Inexpensive and easy assembly.
- . Use one manifold support (04) every 6 cylinders on wall



**IMPORTANT**

LPG Fire reserves the right to change or modify without prior notice any data or specifications due to changes or modifications made in order to improve the products presented. This data sheet details the standards and requirements of LPG Fire. It is for informational purposes only and the data contained within is approximate and presented without legal guarantee or warranty. The observation or use of this document doesn't exclude the obligation to comply with existing local standards and authorities at all times. For maintenance and installations please refer to the manual supplied with the product.

**Contact Us:**

LPG Fire Australia  
 8/30 Mudgeeraba Rd  
 Worongary  
 QLD 4213 AUSTRALIA  
 Phone: +61 7 5559 0634  
 Fax: +61 7 5559 0201  
 Email: info@lpgfire.com.au  
 Web: www.lpgfire.com.au