



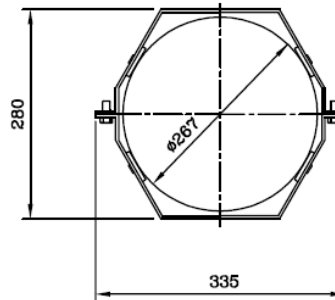
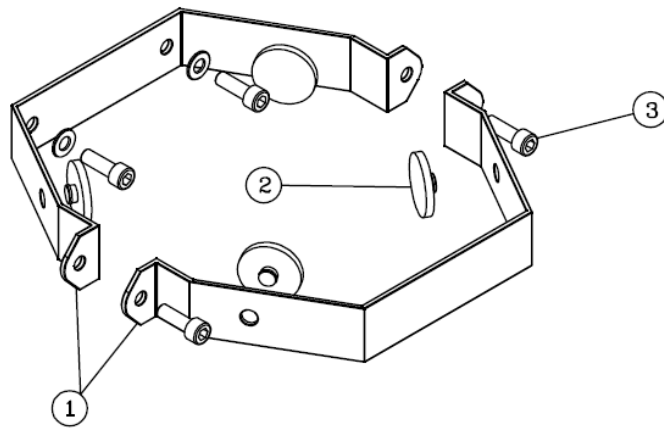
MODULAR CYLINDER BRACKET TECHNICAL DATA SHEET

DONE BY		01/01
CHECKED BY		07/09
APPROVED BY		07/09

DATA SHEET Nr. 107 REV. 04 DATE 07/09

INTRODUCTION

Modular cylinder bracket for single modular cylinder of 267mm external diameter.



POS	DESCRIPTION	MATERIAL
1	Hexagonal rack	F-111
2	Rubber block	Nitrille(NBR)
3	M.10x30 Allen screw	COMMERCIAL

**IMPORTANT**

LPG Fire reserves the right to change or modify without prior notice any data or specifications due to changes or modifications made in order to improve the products presented. This data sheet details the standards and requirements of LPG Fire. It is for informational purposes only and the data contained within is approximate and presented without legal guarantee or warranty. The observation or use of this document doesn't exclude the obligation to comply with existing local standards and authorities at all times. For maintenance and installations please refer to the manual supplied with the product.

Contact Us:

LPG Fire Australia  
 8/30 Mudgeeraba Rd  
 Worongary  
 QLD 4213 AUSTRALIA  
 Phone: +61 7 5559 0634  
 Fax: +61 7 5559 0201  
 Email: info@lpgfire.com.au  
 Web: www.lpgfire.com.au