



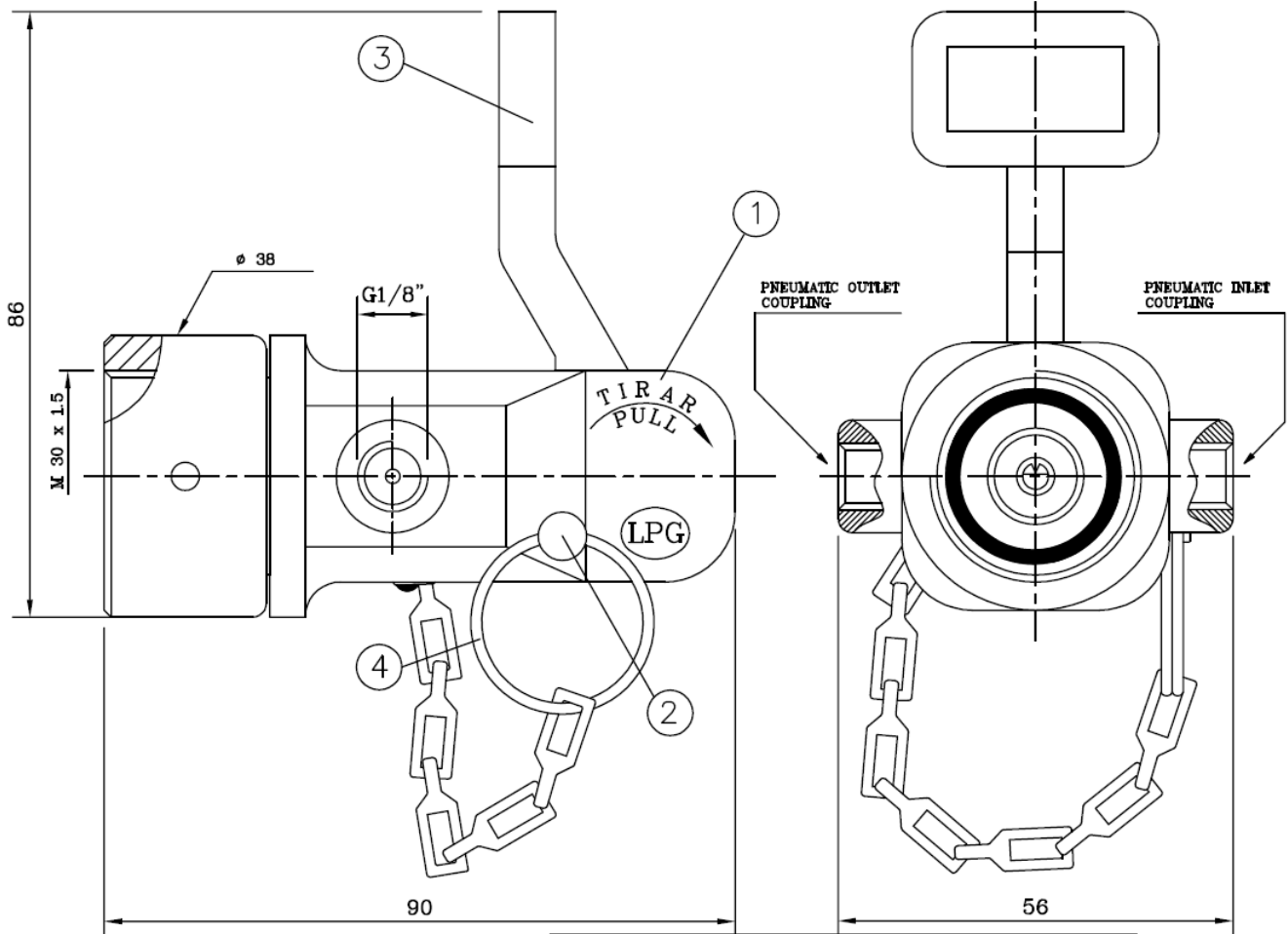
HIGH PRESSURE MECHANICAL/ PNEUMATIC RELEASE DATA SHEET

DONE BY		11/00
CHECKED BY		07/08
APPROVED BY		07/08

DATA SHEET Nr. 064 REV. 04 DATE 07/08

INTRODUCTION

The LPG Mechanical/Pneumatic Release is a simple, sturdy and reliable device that can be mounted on different LPG valve models. Its operation requires less than 35 N for its activation and is based on a firing pin that breaks a disc. It includes a pneumatic inlet and outlet coupling to facilitate pneumatic activation of the Mechanical Lever as well as any other connected release devices.



NOTE: THREADS(M) ACCORDING TO DIN 13.
THREADS(R) ACCORDING TO ISO228

MAX. WORKING PRESSURE: $\frac{370 \text{ bar}}{5365 \text{ psi.}}$

POSITION	NAME	MATERIAL
1	BODY	BRASS EN12165: 98tab4
2	SAFETY PIN	BRASS EN12164: 98tab2
3	LEVER	BRASS EN12165: 98tab4
4	PULLING RING	STEEL

IMPORTANT

LPG Fire reserves the right to change or modify without prior notice any data or specifications due to changes or modifications made in order to improve the products presented. This data sheet details the standards and requirements of LPG Fire. It is for informational purposes only and the data contained within is approximate and presented without legal guarantee or warranty. The observation or use of this document doesn't exclude the obligation to comply with existing local standards and authorities at all times. For maintenance and installations please refer to the manual supplied with the product.

Contact Us:

LPG Fire Australia
8/30 Mudgeeraba Rd
Worongary
QLD 4213 AUSTRALIA
Phone: +61 7 5559 0634
Fax: +61 7 5559 0201
Email: info@lpgfire.com.au
Web: www.lpgfire.com.au