

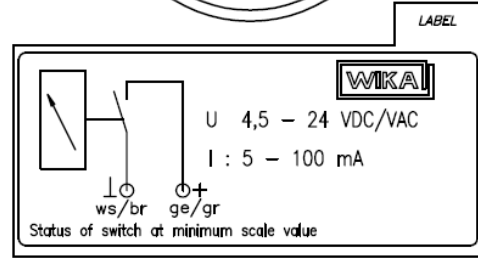
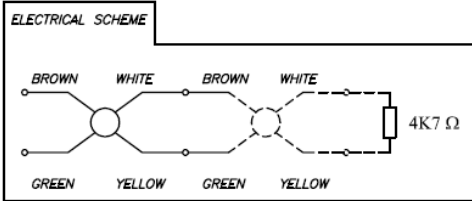
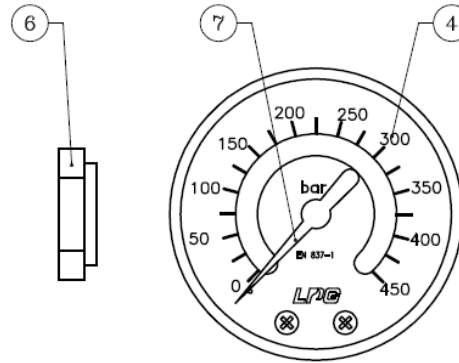
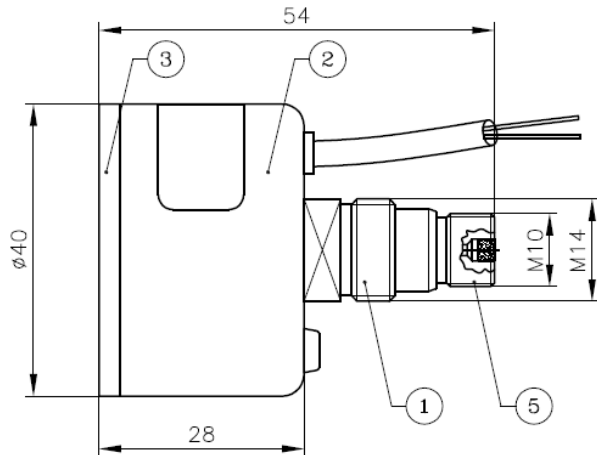


# PRESSURE GAUGE (IG-55) DATA SHEET

<i>DONE BY</i>	Oliver	03/08
<i>CHECKED BY</i>		12.09
<i>APPROVED BY</i>		12.09

DATA SHEET Nr. 173    REV. 05 DATE 12/09

**INTRODUCTION**    Designed to monitor the internal pressure of LPG IG-55 cylinders. It includes a pressure sensitive normally open electrical contact to permit remote monitoring.



POSITION	NAME	MATERIAL
1	SOCKET	BRASS EN 12164: 98tab2
2	BOX	STAINLESS STEEL AISI-304
INTERNAL	SPIRAL SPRING	GUNMETAL
3	WINDOW	POLYCARBONATE
4	DIAL	WHITE PLASTIC
5	FILTER (4 x 3)	SINTER BRASS
6	PRESSURE GAUGE NUT	BRASS EN 12164: 98tab2
7	POINTER	CU-ALLOY, BLACK

PART.	NAME
30116035	T/W PRESSURE GAUGE OF 2466-4569 psi.
30245002	T/W PRESSURE GAUGE OF 3481-5802 psi.

ELECTRICAL DATA	
NAME	TECHNICAL FEATURES
SWITCH VOLTAGE	4,5 ... 24 VDC/VAC
SWITCH CURRENT	5 ... 100 mA
CONTACT LOAD	MAX. 3 W
CABLE LENGHT	1 mtr.
CABLE WIRES	4 x 0,18 mm <sup>2</sup>

NOTE: THREADS ACCORDING TO DIN 13

SPECIFICATIONS			
WORKING TEMPERATURE	PROTECTION	CONNECTION	SCALE
-40°C +60°C -40°F 140°F	IP 54	Rear central	Concentric 130°

**IMPORTANT**

LPG Fire reserves the right to change or modify without prior notice any data or specifications due to changes or modifications made in order to improve the products presented. This data sheet details the standards and requirements of LPG Fire. It is for informational purposes only and the data contained within is approximate and presented without legal guarantee or warranty. The observation or use of this document doesn't exclude the obligation to comply with existing local standards and authorities at all times. For maintenance and installations please refer to the manual supplied with the product.

**Contact Us:**

LPG Fire Australia  
8/30 Mudgeeraba Rd  
Worongary  
QLD 4213 AUSTRALIA  
Phone: +61 7 5559 0634  
Fax: +61 7 5559 0201  
Email: info@lpgfire.com.au  
Web: www.lpgfire.com.au