

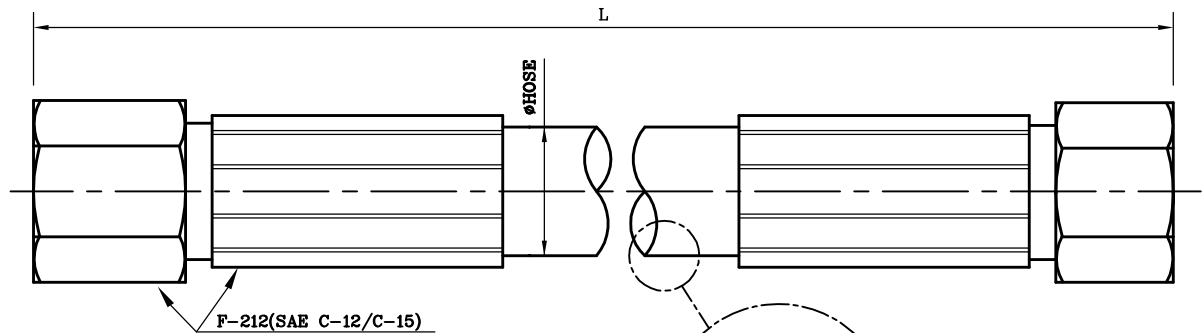


# R1SC HOSE DATA SHEET

DONE BY O.Martin 04/10  
 CHECKED BY 06/10  
 APPROVED BY 06/10

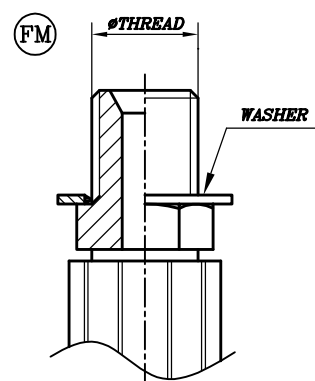
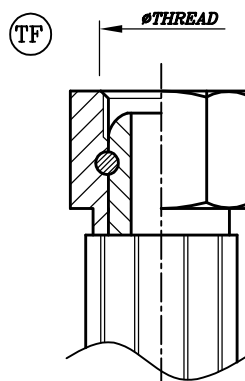
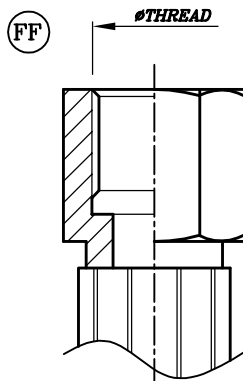
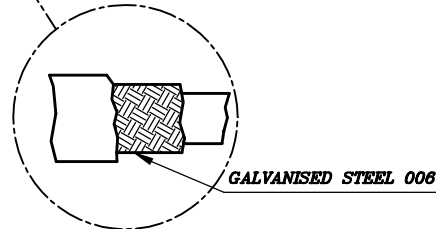
DATA SHEET Nr. 227 REV. 02 DATE 06.11

**INTRODUCTION** Used to direct the discharge of cylinders in modular or manifold extinguishing systems  
 Designed to be mounted on iFlow valve



UNION:

- \* FF: Fixed female nut
- \* TF: Turning female nut
- \* FM: Fixed male thread



## TECHNICAL DATA

Ø THREAD-UNION	PART N°	L(mm) L(in)	DN	ØHOSE(mm) ØHOSE(in)	MAX WORKING PRESSURE	MAX/MIN WORKING TEMPERATURE	BURST PRESSURE	BENDING RADIUS	APPROVAL
○ 3/4" (FM) / ○ 3/4" (TF)	91116026	350   13.7	3/4"	28   1.09	155 bar. 2247 psi	- 40°C ~ 120°C - 40°F ~ 248°F	620 bar. 8990 psi	175 mm. 6.89 in.	VdS
○ 3/4" (FM) / ○ 3/4" (TF)	91116045	450   17.7	3/4"	28   1.09	155 bar. 2247 psi	- 40°C ~ 120°C - 40°F ~ 248°F	620 bar. 8990 psi	175 mm. 6.89 in.	VdS
○ 3/4" (FM) / ○ 3/4" (TF)	91116030	590   23.2	3/4"	28   1.09	155 bar. 2247 psi	- 40°C ~ 120°C - 40°F ~ 248°F	620 bar. 8990 psi	175 mm. 6.89 in.	VdS
○ 3/4" (FM) / ○ 3/4" (TF)	91116046	690   27.2	3/4"	28   1.09	155 bar. 2247 psi	- 40°C ~ 120°C - 40°F ~ 248°F	620 bar. 8990 psi	175 mm. 6.89 in.	VdS
○ 1/2" (FM) / ○ 1/2" (TF)	91116048	500   19.7	1/2"	21   0.83	155 bar. 2247 psi	- 40°C ~ 120°C - 40°F ~ 248°F	620 bar. 8990 psi	175 mm. 6.89 in.	-

□ DIN477 THREAD    ○ BSP ISO228 THREAD

**IMPORTANT**

LPG Fire reserves the right to change or modify without prior notice any data or specifications due to changes or modifications made in order to improve the products presented. This data sheet details the standards and requirements of LPG Fire. It is for informational purposes only and the data contained within is approximate and presented without legal guarantee or warranty. The observation or use of this document doesn't exclude the obligation to comply with existing local standards and authorities at all times. For maintenance and installations please refer to the manual supplied with the product.

**Contact Us:**

LPG Fire Australia  
 8/30 Mudgeeraba Rd  
 Worongary  
 QLD 4213 AUSTRALIA  
 Phone: +61 7 5559 0634  
 Fax: +61 7 5559 0201  
 Email: info@lpgfire.com.au  
 Web: www.lpgfire.com.au