



# STEEL NOZZLE 180° DATA SHEET

DONE BY Daniel 04/03

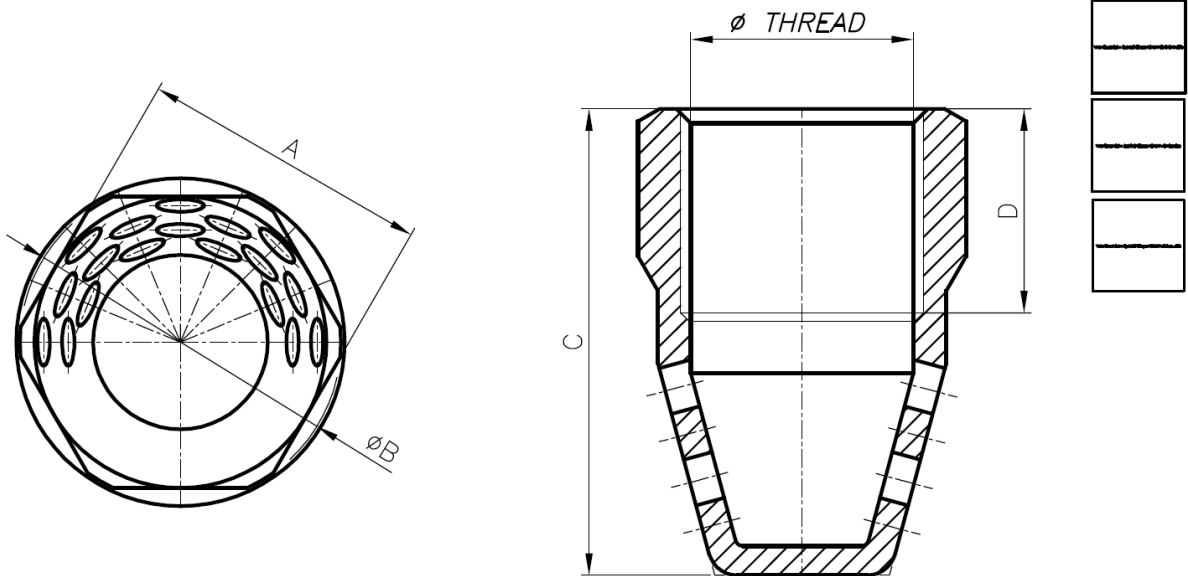
CHECKED BY 07/09

DATA SHEET Nr. 135 REV. 03 DATE 07/09

APPROVED BY 07/09

**INTRODUCTION**

Chrome plated Steel Nozzle for extinguishing gaseous agents. The discharge flow rate is modified by means of a calibrated diaphragm.



18 DRILLS (øE)

TECHNICAL DATA						
øTHREAD	PART N°	$\frac{A(mm)}{A(in)}$	$\frac{\phi B(mm)}{\phi B(in)}$	$\frac{C (mm)}{C (in)}$	$\frac{D(mm)}{D(in)}$	$\frac{\phi E(mm)}{\phi E(in)}$
3/8"	30400007	23   0.91	25   0.94	40   1.57	20   0.78	3   0.12
1/2"	30400008	30   1.18	33   1.30	50   1.96	22   0.87	4   0.16
3/4"	30400009	35   1.38	38   1.50	55   2.17	23   0.90	5   0.20
1"	30400010	40   1.57	44   1.73	64   2.51	28   1.10	6.5   0.26
1¼"	30400011	50   1.97	55   2.17	75   2.95	32   1.26	9   0.35
1½"	30400012	60   2.36	66   2.60	90   3.54	35   1.38	10   0.39
2"	30400013	80   3.14	88   3.46	105   4.13	33   1.30	13   0.51

NOTE: THREADS R. ACCORDING TO ISO 228

MATERIAL STEEL ACCORDING TO : F-2112

WORKING PRESSURE: 142 bar

**IMPORTANT**

LPG Fire reserves the right to change or modify without prior notice any data or specifications due to changes or modifications made in order to improve the products presented.  
This data sheet details the standards and requirements of LPG Fire. It is for informational purposes only and the data contained within is approximate and presented without legal guarantee or warranty.  
The observation or use of this document doesn't exclude the obligation to comply with existing local standards and authorities at all times. For maintenance and installations please refer to the manual supplied with the product.

Contact Us:

LPG Fire Australia  
8/30 Mudgeeraba Rd  
Worongary  
QLD 4213 AUSTRALIA  
Phone: +61 7 5559 0634  
Fax: +61 7 5559 0201  
Email: info@lpgfire.com.au  
Web: www.lpgfire.com.au