



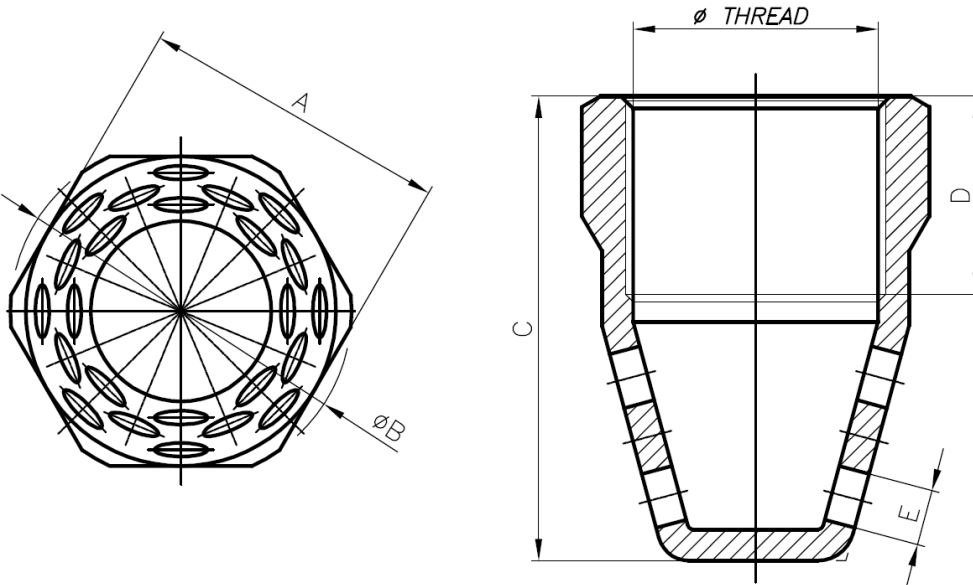
STEEL NOZZLE 360° DATA SHEET

DONE BY	Daniel	04/03
CHECKED BY		07/09
APPROVED BY		07/09

DATA SHEET Nr. 136 REV. 02 DATE 07/09

INTRODUCTION

Chrome plated Steel Nozzle for extinguishing gaseous agents. The discharge flow rate is modified by means of a calibrated diaphragm.



TECHNICAL DIMENSION

ϕ THREAD	PART N°	$\frac{A(\text{mm})}{A(\text{in})}$	$\frac{\phi B(\text{mm})}{\phi B(\text{in})}$	$\frac{C(\text{mm})}{C(\text{in})}$	$\frac{D(\text{mm})}{D(\text{in})}$	$\frac{\phi E(\text{mm}) \times \text{N}^\circ \text{Drills}}{\phi E(\text{in}) \times \text{N}^\circ \text{Drills}}$
3/8"	30400000	23 0.91	25 0.94	40 1.57	20 0.78	3x18 0.12x18
1/2"	30400001	30 1.18	33 1.30	50 1.96	22 0.87	4x18 0.16x18
3/4"	30400002	35 1.38	38 1.50	55 2.17	23 0.90	5x24 0.20x24
1"	30400003	40 1.57	44 1.73	64 2.51	28 1.10	6.5x24 0.26x24
1 1/4"	30400004	50 1.97	55 2.17	75 2.95	32 1.26	9x24 0.35x24
1 1/2"	30400005	60 2.36	66 2.60	90 3.54	35 1.38	9.5x24 0.39x24
2"	30400006	80 3.14	88 3.46	105 4.13	33 1.30	13x24 0.51x24

NOTE: THREADS R. ACCORDING TO ISO 228

WORKING PRESSURE: 142 bar

IMPORTANT

LPG Fire reserves the right to change or modify without prior notice any data or specifications due to changes or modifications made in order to improve the products presented.
 This data sheet details the standards and requirements of LPG Fire. It is for informational purposes only and the data contained within is approximate and presented without legal guarantee or warranty.
 The observation or use of this document doesn't exclude the obligation to comply with existing local standards and authorities at all times. For maintenance and installations please refer to the manual supplied with the product.

Contact Us:

LPG Fire Australia
 8/30 Mudgeeraba Rd
 Worongary
 QLD 4213 AUSTRALIA
 Phone: +61 7 5559 0834
 Fax: +61 7 5559 0201
 Email: info@lpgfire.com.au
 Web: www.lpgfire.com.au